



Doors and drawer front:

Doors on the Value line are made of solid wood rails with a MDF/veneered center panel to reduce the possibility of shrinkage: drawer fronts are solid wood rails with a veneered recessed panel.

Value Door Series:

The five piece Value modified full overlay door has a ½" thick MDF/birch veneered raised center panel captured in a ¾" x 2 ¼" mortise solid birch frame and is complimented with a 5 piece recessed panel drawer front. All overlays on top of all wall cabinets have been modified to accept a crown molding.

Hinges:

6-way adjustable, concealed hinges open at 110 degree on all product lines.

Drawers:

The Value line includes a 5/8" thick solid birch dovetail drawer box with a 3/8" plywood bottom, attached to under mounted epoxy coated slides.

Shelving:

5/8" thick select veneered plywood with matching wood edge banding is used on all wall and base cabinetry where applicable. The adjustable shelves are supported by plastic self locking shelf clip.

Backs, Tops and Bottoms:

½" thick veneered plywood, with natural finished interiors. The backs are glued, stapled and screwed into place for additional support.

Face Frame:

$\frac{3}{4}$ " x $1\frac{1}{2}$ " solid wood stiles and rails jointed with glue and dowels. Back of face frames are grooved to accept side panels.

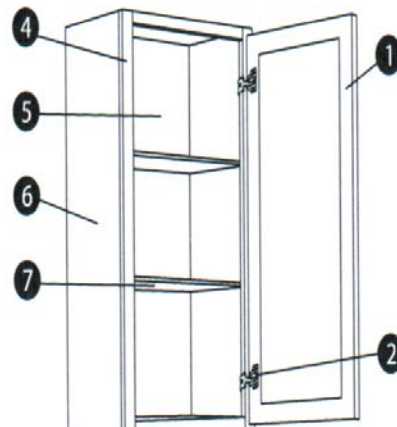
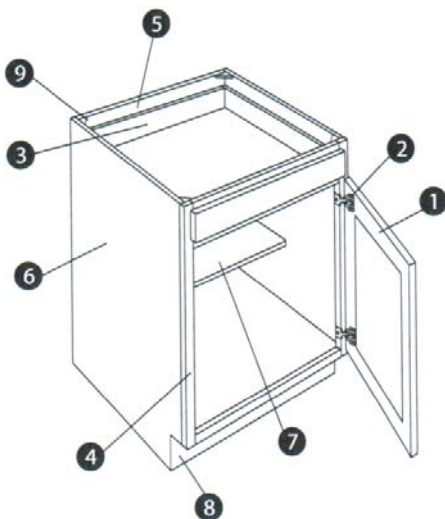
Toe Kick:

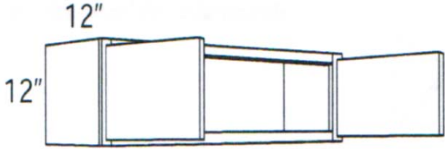
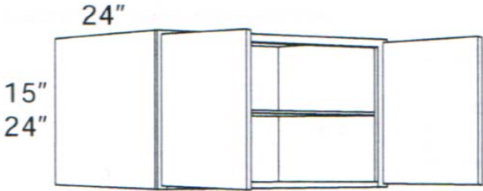

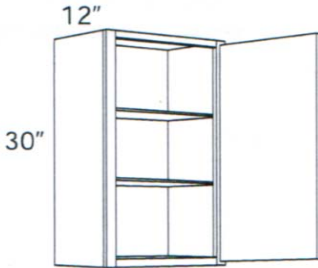
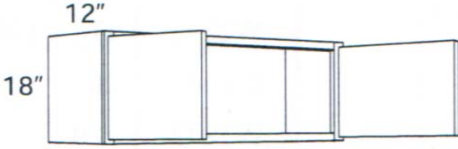
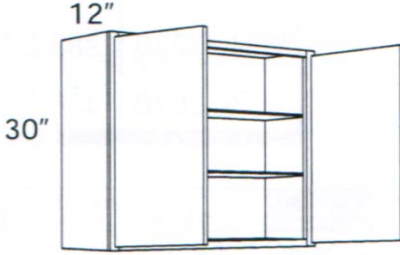
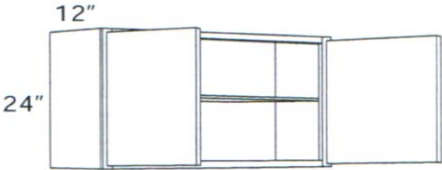
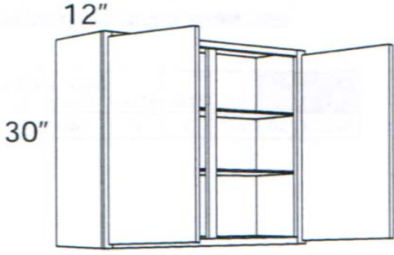
$\frac{1}{2}$ " x $4\frac{1}{2}$ " select veneered plywood toe kick is added to each assembled cabinet and stained to match along with the edges. Additional 8' lengths of $\frac{1}{4}$ " plywood toe kicks are available for those who do not wish to see the joints between cabinets.

Corner Blocks:

All four corners of the base cabinets are secured with a plastic block fastened to each end panel for support and mounting of a counter top.

- 1) Solid wood door frames mortise and tenon.
- 2) 6-way adjustable concealed hinge with 110 degree opening capability
- 3) $\frac{5}{8}$ " solid birch dovetail drawer with under mount epoxy coated slides.
- 4) $\frac{3}{4}$ " x $1\frac{1}{2}$ " solid wood face frame.
- 5) $\frac{1}{2}$ " select veneered plywood back with a natural finished interior.
- 6) $\frac{1}{2}$ " select veneered plywood side panels grooved into face frame.
- 7) $\frac{5}{8}$ " select veneered plywood adjustable shelving with matching wood veneer edge banding.
- 8) $\frac{1}{2}$ " x $4\frac{1}{2}$ " select veneered plywood toe kick stained to match exterior finish and attached to cabinet.
- 9) Plastic corner blocks added for additional strength and stability and for support and mounting of countertop.

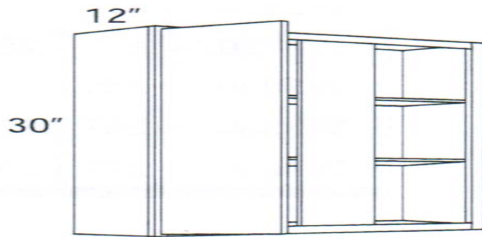


<p>12" HIGH WALL</p>  <p>no shelf</p>	<p>ITEM</p> <p>W3012</p> <p>W3612</p>	<p>24" DEEP WALL</p> 	<p>ITEM</p> <p>W3015X24</p> <p>W3615X24</p> <p>W3024X24</p> <p>W3624X24</p>
<p>15" HIGH WALL</p>  <p>no shelf</p>	<p>ITEM</p> <p>W2115</p> <p>W2415</p> <p>W3015</p> <p>W3315</p> <p>W3615</p>	<p>30" HIGH WALL</p> 	<p>ITEM</p> <p>W930</p> <p>W1230</p> <p>W1530</p> <p>W1830</p> <p>W2130</p>
<p>18" HIGH WALL</p>  <p>no shelf</p>	<p>ITEM</p> <p>W2118</p> <p>W2418</p> <p>W3018</p> <p>W3318</p> <p>W3618</p>	<p>30" HIGH WALL</p> 	<p>ITEM</p> <p>W2430</p> <p>W2730</p> <p>W3030</p> <p>W3330</p> <p>W3630</p>
<p>24" HIGH WALL</p> 	<p>ITEM</p> <p>W2424</p> <p>W3024</p> <p>W3324</p> <p>W3624</p>	<p>30" HIGH WALL</p>  <p>has center stile</p>	<p>ITEM</p> <p>W3930</p> <p>W4230</p>

30" HIGH SINGLE DOOR BLIND WALL

ITEM

- WBC2430
- WBC3030
- WBC3630

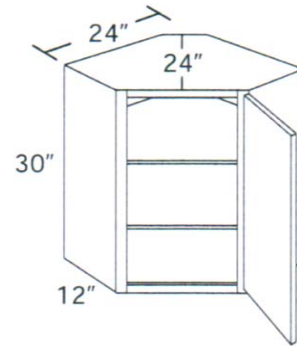


	Act.	Stile	Max.	Door
WBC2430	24"	6"	3"	10½"
WBC3030	30"	6"	3"	16½"
WBC3630	36"	6"	3"	22½"

30" DIAGONAL CORNER WALL

ITEM

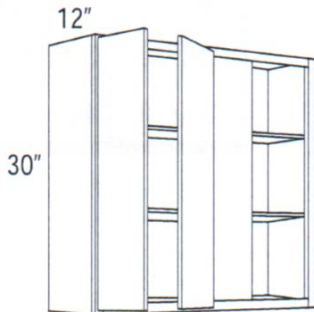
- WDC2430



30" HIGH DOUBLE DOOR BLIND WALL

ITEM

- WBC4230

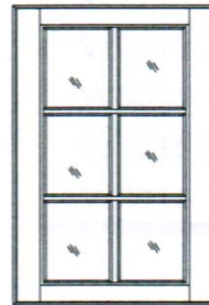


	Act.	Stile	Max.	Hallmark Door
WBC4230	42"	6"	3"	14¼"

30" HIGH GLASS DOOR

ITEM

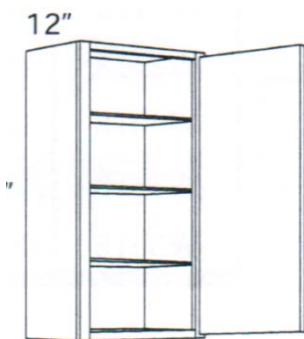
- MD1530
- MD1830
- MD2430



42" HIGH WALL

ITEM

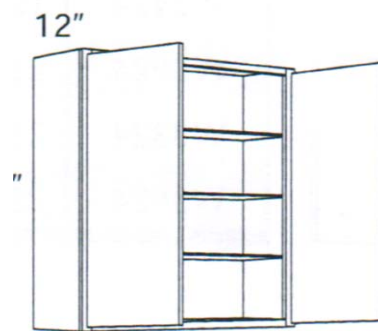
- W942
- W1242
- W1542
- W1842
- W2142

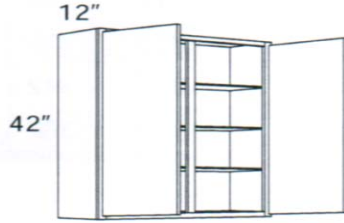
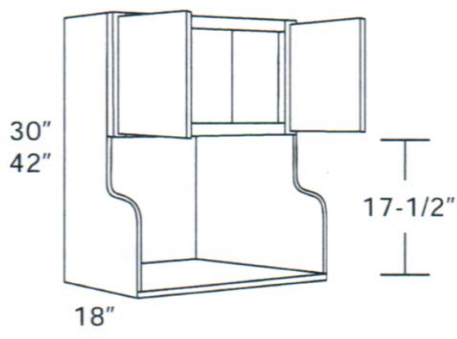
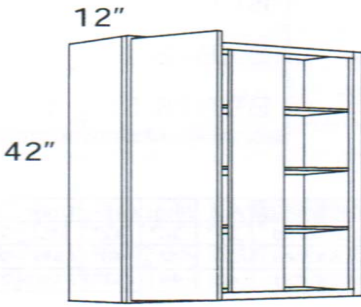
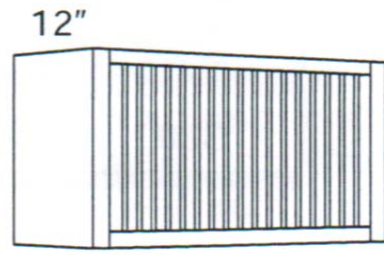
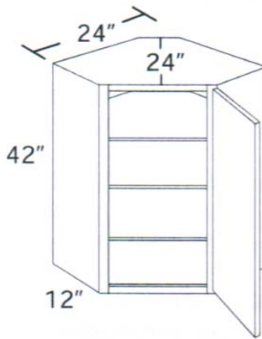
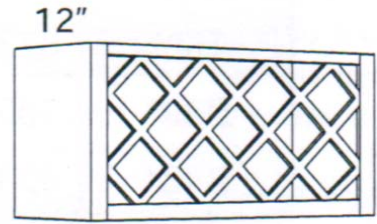
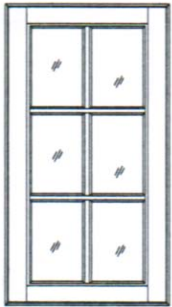
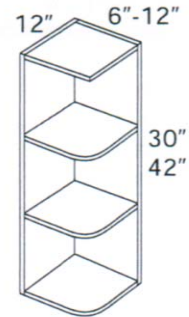


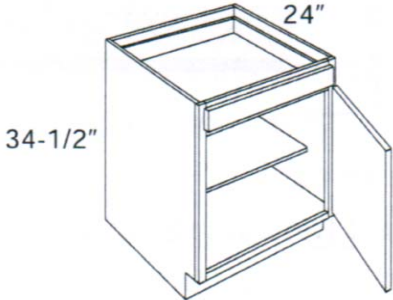
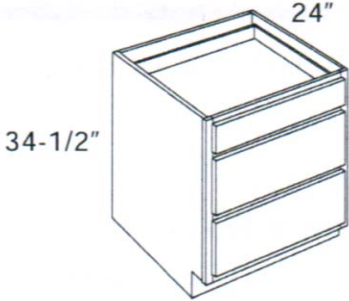
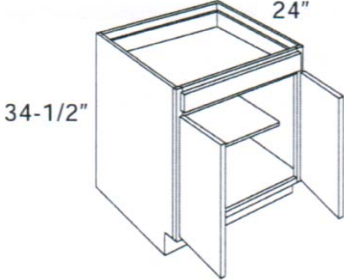
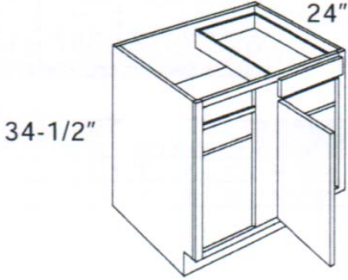
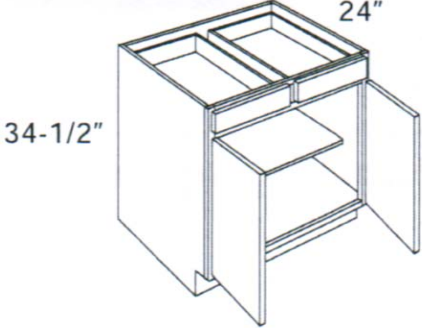
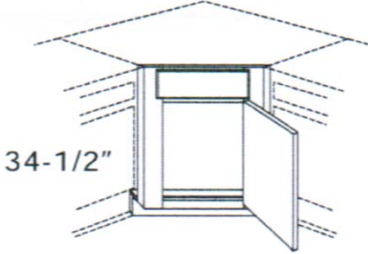
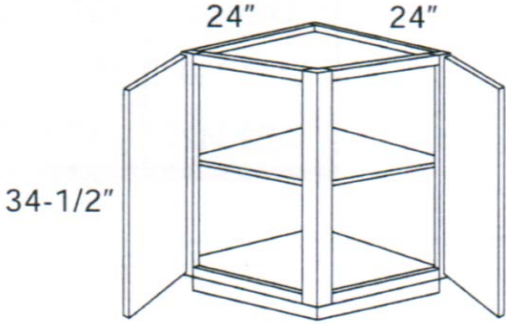
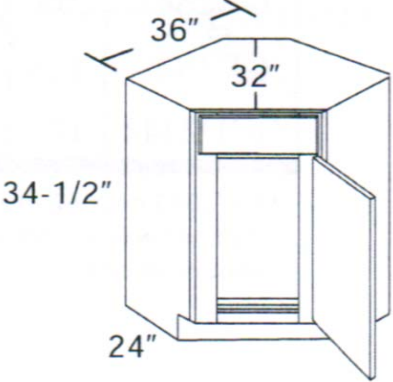
42" HIGH WALL

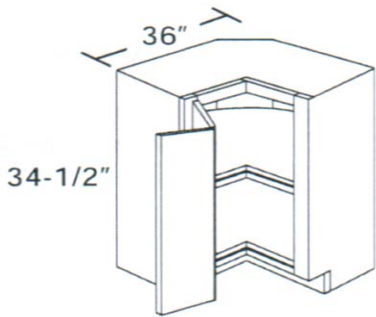
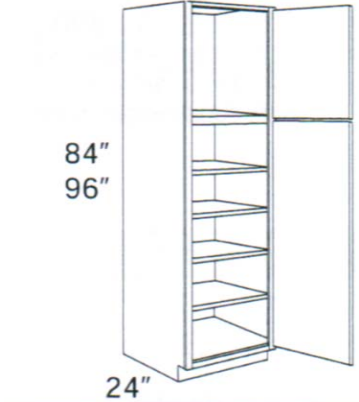
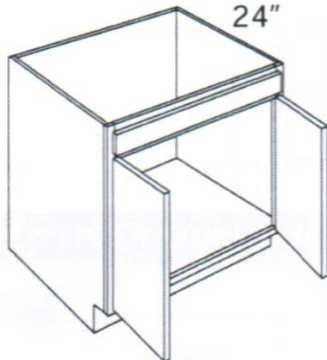
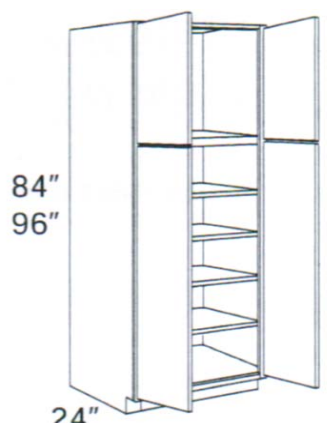
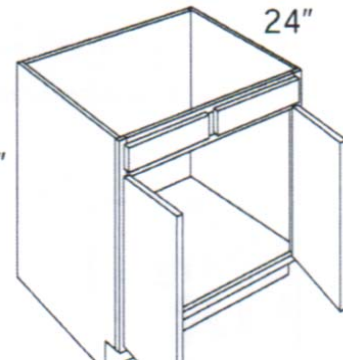
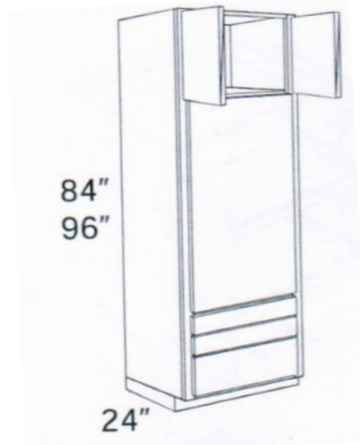
ITEM

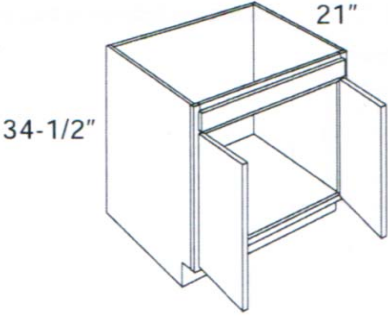
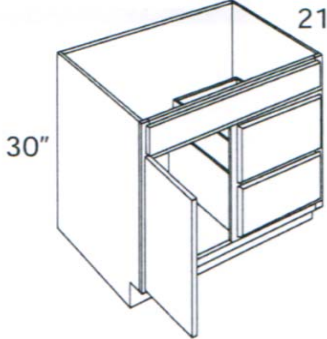
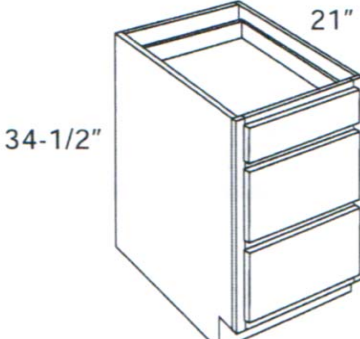
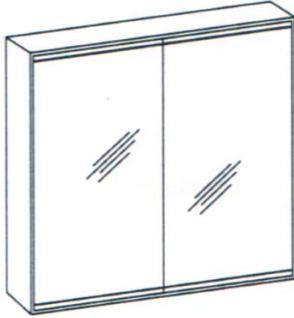
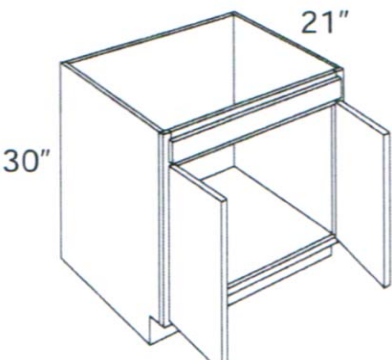
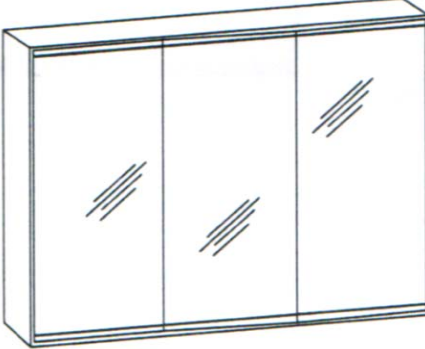
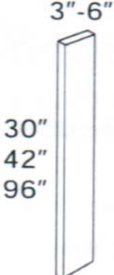
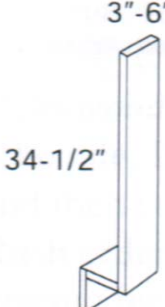
- W2442
- W2742
- W3042
- W3342
- W3642


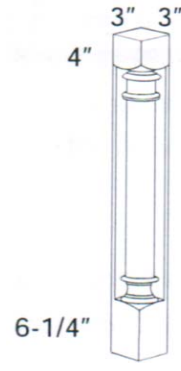
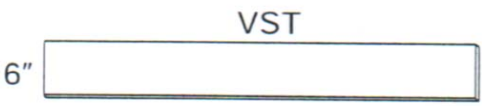
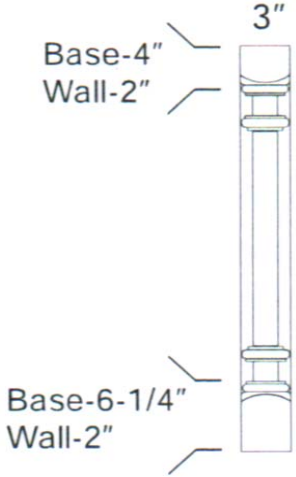
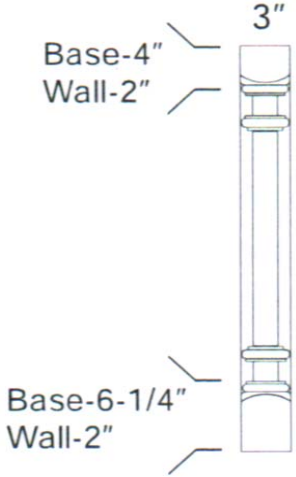
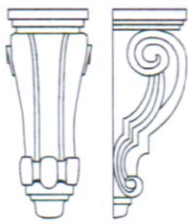


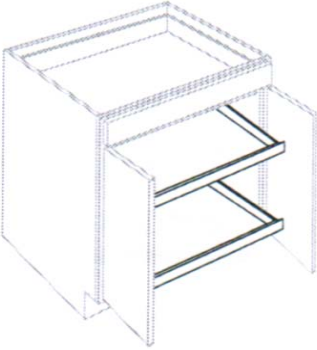
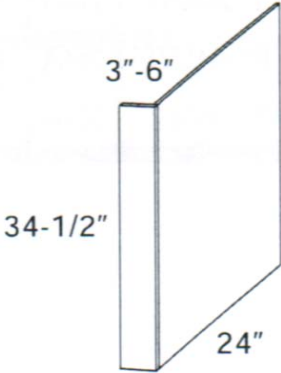


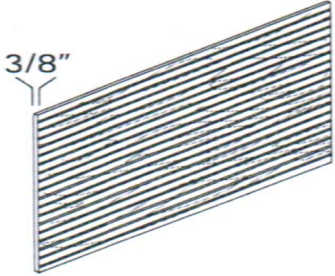
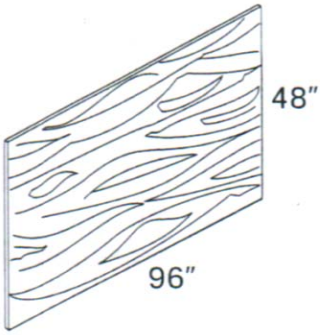
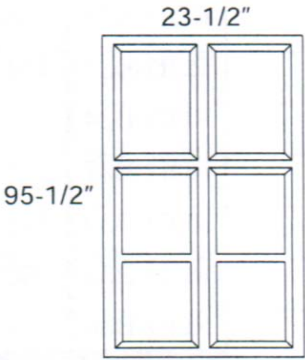
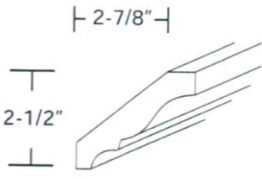
<p>42" HIGH WALL</p>  <p>has center stile</p>	<p>ITEM W3942</p>	<p>MICROWAVE</p> 	<p>ITEM MW3030 MW3042</p>															
<p>42" SINGLE DOOR BLIND WALL</p>  <table border="1" data-bbox="454 924 779 1008"> <thead> <tr> <th></th> <th>Act.</th> <th>Stile</th> <th>Max.</th> <th>Door</th> </tr> </thead> <tbody> <tr> <td>WBC2442</td> <td>24"</td> <td>6"</td> <td>3"</td> <td>10½"</td> </tr> <tr> <td>WBC3642</td> <td>36"</td> <td>6"</td> <td>3"</td> <td>22½"</td> </tr> </tbody> </table>		Act.	Stile	Max.	Door	WBC2442	24"	6"	3"	10½"	WBC3642	36"	6"	3"	22½"	<p>ITEM WBC2442 WBC3642</p>	<p>PLATE RACK</p> 	<p>ITEM PR3018</p>
	Act.	Stile	Max.	Door														
WBC2442	24"	6"	3"	10½"														
WBC3642	36"	6"	3"	22½"														
<p>42" DIAGONAL CORNER WALL</p> 	<p>ITEM WDC2442</p>	<p>WINE RACK</p> 	<p>ITEM WR3018</p>															
<p>42" GLASS DOOR</p>  <p>for 3042 & 3642 must call, cabinet will need some modification</p>	<p>ITEM MD1542 MD1842 MD2442</p>	<p>OPEN END</p> 	<p>ITEM OE6030 OE642 OE1230 OE1242</p>															

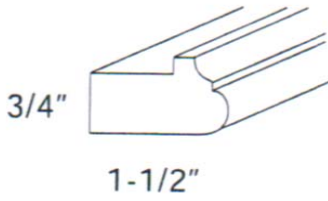
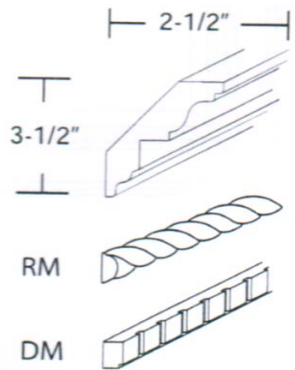
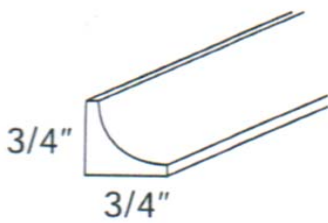
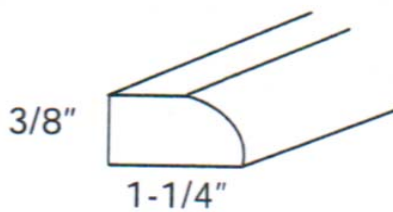
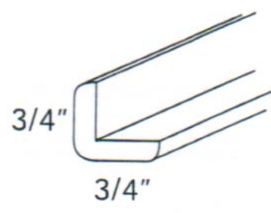
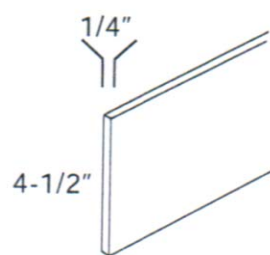
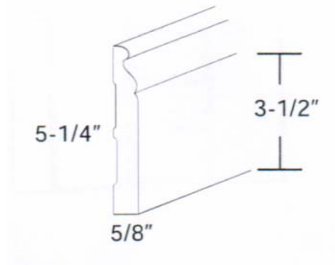
<p>SINGLE DOOR BASE</p>  <p>24" 34-1/2"</p>	<p>ITEM</p> <p>B09 B12 B15 B18 B21</p>	<p>DRAWER BASE</p>  <p>24" 34-1/2"</p>	<p>ITEM</p> <p>DB12 DB15 DB18 DB24</p>
<p>DOUBLE DOOR BASE</p>  <p>24" 34-1/2"</p>	<p>ITEM</p> <p>B24 B27 B30</p>	<p>BLIND BASE</p>  <p>24" 34-1/2"</p>	<p>ITEM</p> <p>BLB36/39 BLB42/45 BLB48/51</p>
<p>DOUBLE DOOR & DRAWER BASE</p>  <p>24" 34-1/2"</p>	<p>ITEM</p> <p>B33 B36 B39 B42</p> <p>has 1-1/2" center stile</p>	<p>CORNER SINK FRONT</p>  <p>34-1/2"</p>	<p>ITEM</p> <p>DSF36* DSFL36**</p> <p>*DSF36 The sink front has a 17" face dimension **DSFL36 The floor must be ordered separately</p>
<p>BASE END</p>  <p>24" 24" 34-1/2"</p>	<p>ITEM</p> <p>BEC24</p>	<p>CORNER SINK BASE</p>  <p>36" 32" 34-1/2" 24"</p>	<p>ITEM</p> <p>DSB36</p>

<p>LAZY SUSAN</p> 	<p>ITEM LSB36</p>	<p>SINGLE DOOR PANTRY</p> 	<p>ITEM UC152484 UC182484 UC152496 UC182496</p>
<p>SINK BASE</p> 	<p>ITEM SB27 SB30 SB33 SB36</p>	<p>DOUBLE DOOR PANTRY</p> 	<p>ITEM UC242484 UC242496</p>
<p>SINK BASE</p> 	<p>ITEM SB39 SB42</p>	<p>SINGLE OVEN</p>  <p>max. cutout width is 31" max. overall height is 33" can be modified for a double ove call for quote</p>	<p>ITEM OC3384 OC3396</p>

<p>34" HIGH VANITY SINK BASE</p> 	<p>ITEM</p> <p>VSB24-34</p> <p>VSB30-34</p> <p>VSB36-34</p>	<p>30" HIGH VANITY SINK DRAWER</p> 	<p>ITEM</p> <p>VSD24-30</p> <p>VSD30-30</p> <p>VSD36-30</p>
<p>34" HIGH VANITY DRAWER BASE</p> 	<p>ITEM</p> <p>VDB12-34</p> <p>VDB15-34</p>	<p>DOUBLE DOOR MEDICINE</p> 	<p>ITEM</p> <p>MC2424</p>
<p>30" HIGH VANITY SINK BASE</p> 	<p>ITEM</p> <p>VSB24-30</p> <p>VSB30-30</p> <p>VSB36-30</p>	<p>TRI VIEW MEDICINE</p> 	<p>ITEM</p> <p>MC-3030</p> <p>MC3630</p>
<p>WALL & TALL FILLERS</p> 	<p>ITEM</p> <p>WF-330</p> <p>WF-630</p> <p>WF-342</p> <p>TF-396</p> <p>TF696</p>	<p>BASE FILLERS</p> 	<p>ITEM</p> <p>BF3</p> <p>BF6</p>

OVERLAY FILLERS	ITEM	CORNER POST	ITEM
	OLF-330 OLF-342 OLF-384 OLF-396		CP36-1/2
VALANCE	ITEM	PILASTER	ITEM
	VST-96 VAR-54		PP-BASE PP-W30 PP-W42
CORBELS	ITEM	TRADITIONAL HOOD	ITEM
	CTS CGS		TH3024 TH3624

<p>ROLL OUT</p> 	<p>ITEM</p> <p>ROD-B18 ROD-B21 ROD-B24 ROD-B27 ROD-B30 ROD-B33 ROD-B36</p>	<p>DISHWASHER END PANEL</p> 	<p>ITEM</p> <p>DWR3 DWR6</p>
<p>3" REFRIGERATOR END PANEL</p> 	<p>ITEM</p> <p>REP3</p>	<p>REFRIGERATOR END PANEL</p> 	<p>ITEM</p> <p>REP96</p>
<p>BEADED PANEL</p> 	<p>ITEM</p> <p>BP4896</p>	<p>BACK PANEL</p> 	<p>ITEM</p> <p>PLY-1/4 PLY-1/2 PLY-3/4</p>
<p>WAINSCOT</p> 	<p>ITEM</p> <p>WP-BASE WP-W30 WP-W42 WP-T84 WPT96</p>	<p>SMALL CROWN</p> 	<p>ITEM</p> <p>CM-1</p>

LIGHT RAIL	ITEM	ROYAL CROWN & INLAY	ITEM
 <p>3/4" 1-1/2"</p>	LRM-96	 <p>2-1/2" 3-1/2" TCM RM DM</p>	TCM RM DM
INSIDE	ITEM	SCRIBE	ITEM
 <p>3/4" 3/4"</p>	ICM	 <p>3/8" 1-1/4"</p>	SM-8
OUTSIDE	ITEM	TOE KICK	ITEM
 <p>3/4" 3/4"</p>	OCM	 <p>1/4" 4-1/2"</p>	TK-8
BASE	ITEM		
 <p>5-1/4" 5/8" 3-1/2"</p>	BBM-8		

CUT ITEMS	ITEM	DESCRIPTION
	CUT-BASE	Reduce depth of base cabinet (min. depth 12")
	CUT-DBASE	Reduce depth of drawer base cabinet (min. depth 12")
	CUT-SBASE	Reduce depth of sink base cabinet (min. depth 12")
	CUT-WALL	Reduce depth of wall cabinet (no min.)
	CUT-TALL	Reduce depth of tall cabinet (no min.)
	CUT-DOOR	Cut out center panel of door for glass insert (per door)
	CUT-DRAWER	Remove cabinet drawer to create false drawer front

PIPE CHASE	ITEM	DESCRIPTION
	CHASE -BASE	Make chase in base cabinet (must supply drawing)
	CHASE-TALL	Make chase in tall cabinet (must supply drawing)
	CHASE-WALL	Make chase in wall cabinet (must supply drawing)

MODIFICATIONS	ITEM	DESCRIPTION
	CLOSE-BLIND	Close open section of a blind wall or base cabinet
	ATTACH-TK	Attach toe kick on wall cabinet
	RECESS-TK	Recess toe kick of base cabinet (must supply a drawing)
	CUT-TK	Reduce toe kick height (no min.)
	HAMPER	Install door mounted pull out wood hamper in cabinet
	TILT-OUT	Install tilt out sink base cabinet (tilt not included)
	EDGE-BAND	Additional edge banding (price per linear foot)
	INSTALL-ACCES	Install any accessory in a cabinet (accessories not included)
	INCREASE-WALL	Increase depth on wal cabinet (call for quote)
	SHELF-12	Loose 12" deep shelf (specity cabinet size)
	SHELF-24	Loose 24" deep shelf (specify cabinet size)

[Back to site](#)